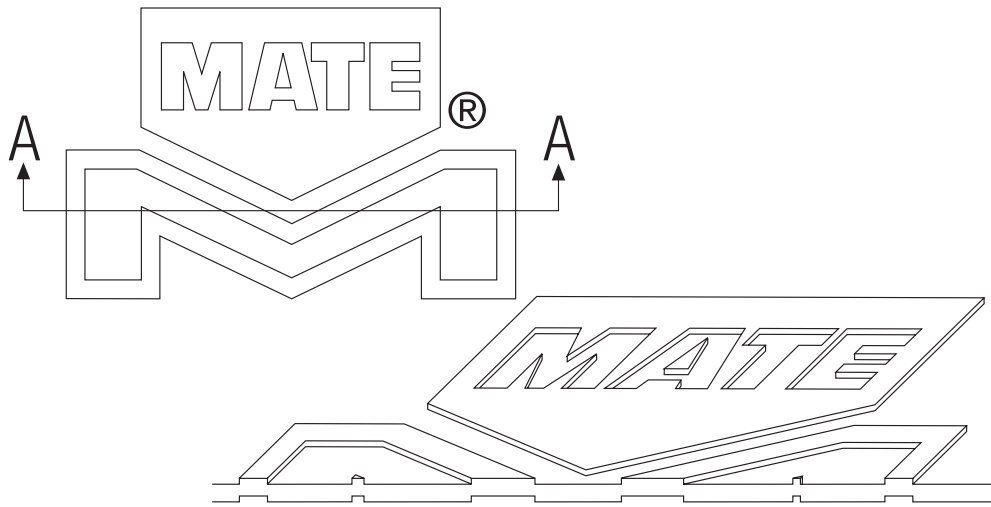


0.5

.12
.19



FORMING SOLUTIONS



Mate

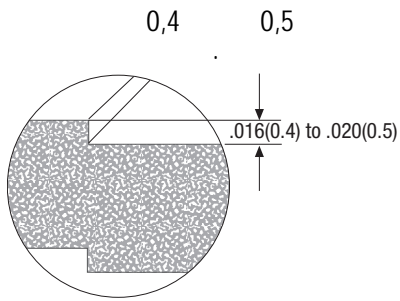
"Mate Technical Solutions Guide"



[Dimensions in Inches(mm)]

50%

CAD



FORMING SOLUTIONS

		0.5-0.9	0.9-3.2
		.50%	0.4-0.5
		1	1
	6.4	1.3	2.3
	9.5	1.8	3.5
	12.7	2.4	4.7
	15.9	3.1	5.8
	19.1	3.7	6.9
0.6		.7	1.0
		2.0	

"Mate Technical Solutions Guide"

